

6

5

4

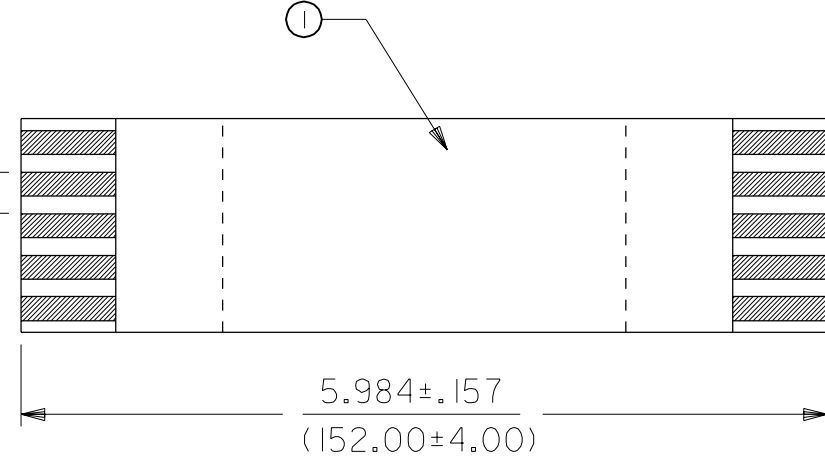
3

2

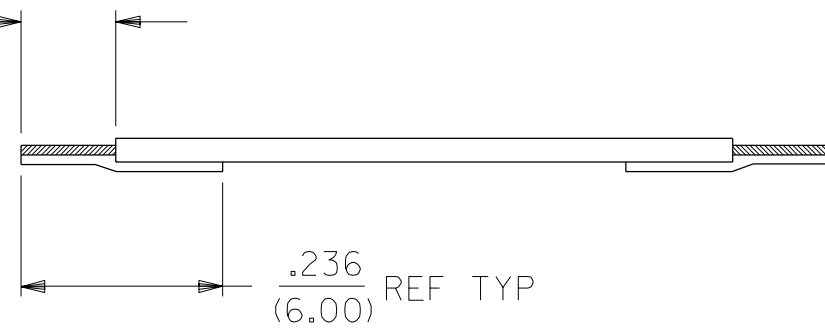
21020

ITEM	DESCRIPTION	P/N	QTY	CKT. SIZE	TEMP. RATING
①	CABLE	21020-0548	5.984"	50	L

$\frac{.020 \pm .004}{(0.50 \pm 0.10)}$



$\frac{.157 \pm .039}{(4.00 \pm 1.00)}$ TYP



NOTE:
NO PRINTING TO BE ALLOWED ON CABLE

REF. PRODUCT SPEC. NO. SMPS-21020

DIMENSIONS SHOWN (METRIC) INCH

UNLESS OTHERWISE SPECIFIED TOLERANCES: ANGULAR $\pm 1/2^\circ$

	INCH	METRIC
3 PLACE	$\pm .005$	---
2 PLACE	$\pm .01$	± 0.13
1 PLACE	---	± 0.25

DRAFT WHERE APPLICABLE MUST REMAIN WITHIN DIMENSIONS

$\nabla = 0$ $\blacktriangledown = 0$

REVISE ONLY ON CAD SYSTEM

TITLE
0.5 mm \varnothing FFC JUMPER
STYLE TYPE "A"
PDR UAU-000965-00-00

MOLEX INCORPORATED
LISLE, ILL. 60532 U.S.A.

SHEET NO. 1 OF 1
DATE 02/07/10

PART NO. **21020-0548**
DRWG. NO. **21020-0548**

FILE NAME 21020-0548 SO1
THIS DRAWING CONTAINS INFORMATION THAT IS PROPRIETARY TO MOLEX INC. AND SHOULD NOT BE USED WITHOUT WRITTEN PERMISSION.

DIV. AU
SIZE A

A
FINAL RELEASE
ECN UAU2003-0001
DEME0 02/07/10

LTR. REVISIONS LTR. REVISIONS

6

5

4

3

2

1